

Date:

Name:

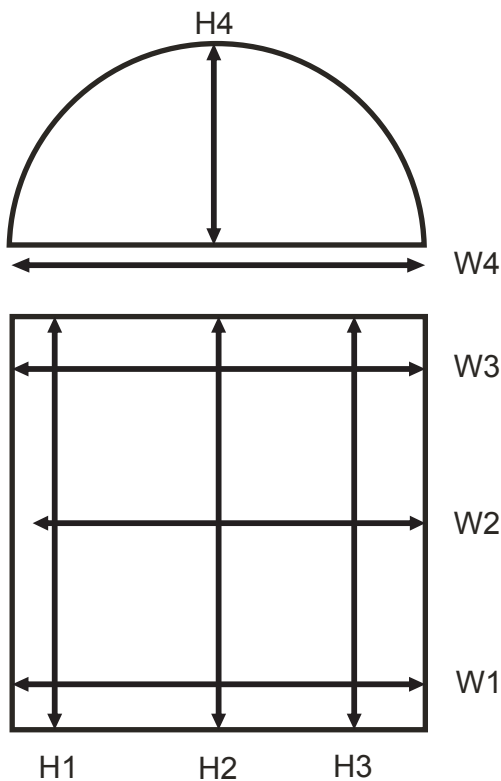
Design:

Qty:

Reference:

In order to receive a perfectly fitting Samuel K Designer Window
check your measurements before submitting your order
MEASURE ONLY THE GLASS AREA

SQUARE WITH 1/2 ROUND



Measure to 1/8" accuracy

W1	
W2	
W3	
W4	
H1	
H2	
H3	
H4	

Check that the radius of the window has no "flat" spots

Notes:

**DO NOT ASSUME ANY MEASUREMENTS
MEASURE TWICE - PAY ONCE**